



PRODUCT DATASHEET

**MP-CR100**  
Multipurpose camera 720p/1080p

[www.acacusgroup.com](http://www.acacusgroup.com)

# MP-CR100

Multipurpose camera 720p/1080p



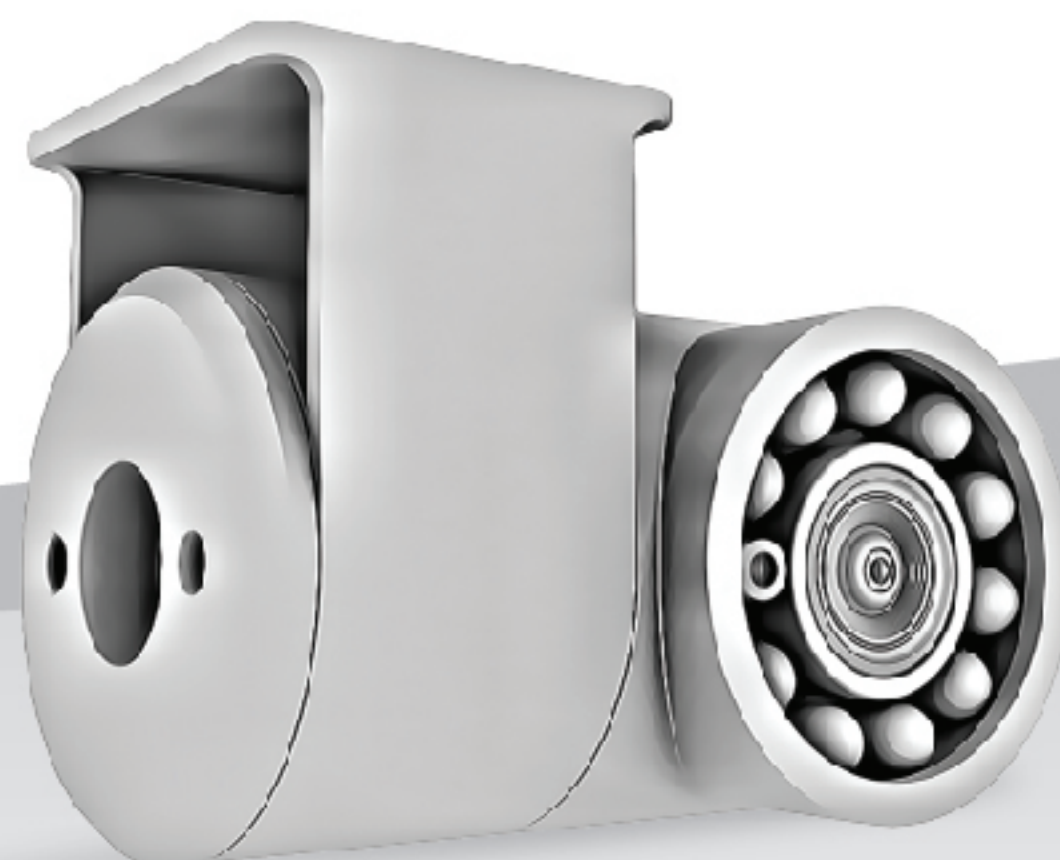
## Overview

The MP-CR100 combines form, functionality & modern style in perfect balance.

It's far more compact, multi-purpose that can be used as the rear, front, interior & fatigue camera.

With Adjustable 360-degree angle, for both vertical & horizontal positioning.

Beside the high-resolution IMX291 CMOS image sensor that improves the video quality even at night.



## Specifications

### CMOS CAMERA MODULE BOARD

- Back-illuminated structure with 2.9  $\mu\text{m}$ -square unit pixel.
- High sensitivity characteristics (two or more times that of the existing products)
- Improved sensitivity in the near infrared light region (three or more times that of the existing products)
- Supports WDR (multiple exposure WDR, DOL-WDR)
- Versatile interface (CMOS parallel, low-voltage LVDS serial, MIPI CSI-2)

### Detail spec.

Model	V30 (FH8536E)
Sensor	1/2.8" SONY IMX291 CMOS + V30E (FH8536E)
System	PAL/NTSC
Effective Pixel	PAL:1984(H) $\times$ 1105(V)
Illumination	0.0001Lux@(F1.2,AGC ON),0LUX with IR
Resolution	AHD/TVI/CVI: 2.2mp 1080P,Analog: 2000TVL
Scanning Frequency	50Hz                      60Hz
Electronic Shutter	1/50~1/100000s   -                      1/60~1/100000s
Gamma	0.45
S/N	>46dB
Video output	1.0V p-p    Default AHD,Shift to TVI/CVI/CVBS by OSD

### OSD Menu

AE	Brightness(1-20)/ Exposure Mode(GLOBE/CENTER/BLC/FLC)/ Gain(1-8)
BW	ATW/MWB
D/N MODE	EXT/AUTO/COLOR/B&W
Video Setting	Contrast(1-50)/Sharpness(1-20)/color Gain(1-31)/DNR(1-15)/Format(PAL/NTSC)
Language	ENGLISH/CHN1/ESPAÑOL/FRANCAIS/CHN2/Русский/ITALIANO/Ελληνικά/한국어/Portugues

### Common

Operation Temperature	-20° to 50°
Working Humidity	Relative humidity less than 95 %
Power	DC12V( $\pm$ 10%)
Size	(L $\times$ W $\times$ H) 38 $\times$ 38 $\times$ 9mm

## IR LED BOARD

## Detail spec.

Model	CW2024-M
Beam Angle	90°
Support Lense	2.8mm ,3.6mm ,4mm
IR Leds	10 Leds
Led Size	5mm
Led Type	F5
Led Color	Black
Nano-IR Light	Yes
Photosensitive Resistance	Yes
Technology	Infrared
Sensor	CDS
IR light Wavelength	850 nm
Power	2p 2.0mm socket, IR-cut work cable (2p 1.25mm) CDS socket
Working Voltage	DC 12V
Board Diameter	Outer : 30mm, inner : 16mm

## IR-CUT

## Detail spec.

Model	CY-10F5-90
Type	M12
Lense Mount	20mm
Optical Double Switcher	5MP
Coil impedance	22±5Ω (at room temperature 25°C)
IR-Cut filter	5.0MP M12
Operating voltage	4-12V
Drive pulse signal time	100ms
Inductance	430uH±5%
Normal temperature	+25°C±5°C
Humidity	65%±20%
Terminal White	2Pin*1.25mm
Insertion Force	0.5Kg
Size	24.8mm x 32.4mm

## CAMERA LENSE - 2.8mm

## Detail spec.

Model	LF2.8-M12-3MP-F2-IR	
Parameter of Lens:		
Pixel	3MP	
Image Format	1/2.7"	
Focal Length	2.8mm	
Aperture	F2.0	
Mount Type	M12x0.5	
Field Angle	1/2.7" (4:3)	130°x104°x78°
DxHxV(°)	1/3" (4:3)	120°x96°x72°
M.O.D	0.3m	
Dimension	Φ14x16.9mm	
Weight	5g	
Back Focal Length	5.5mm	
Operation	Iris - Focus -Zoom: Fixed	
Operating temperature	-20°C~+60°C	

## CAMERA LENSE - 3.6mm

## Detail spec.

Model	MTV-3.6mm	
Parameter of Lens:		
Pixel	3MP	
Image Format	1/2.7"	
Focal Length	3.6mm	
Aperture	F2.0	
Mount Type	M12x0.5	
Horizontal Field of View	92°	
Dimension	Φ14x16.2mm	
Weight	6g	
Operation	Iris - Focus -Zoom: Fixed	
Operating temperature	-20°C~+60°C	

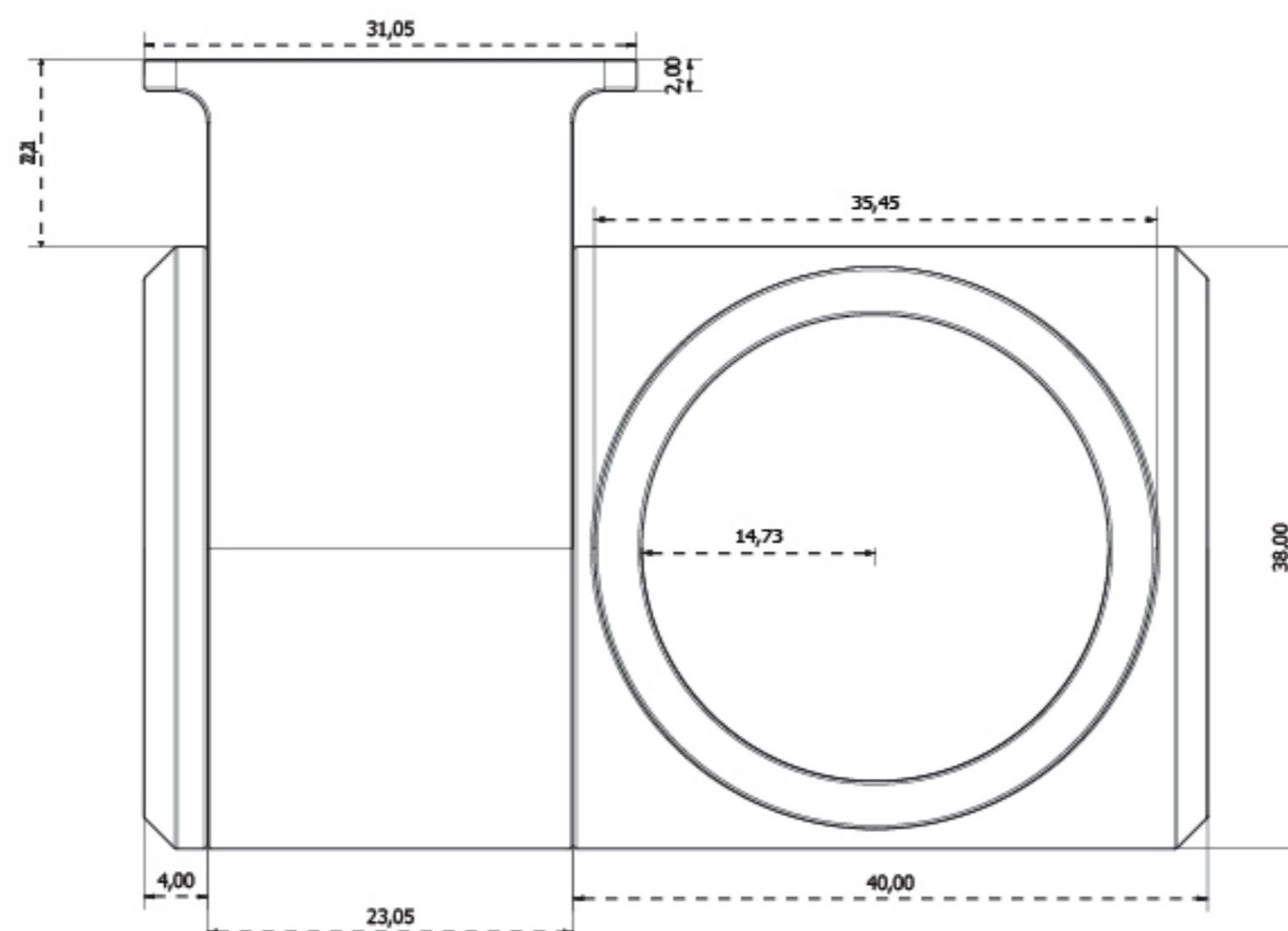
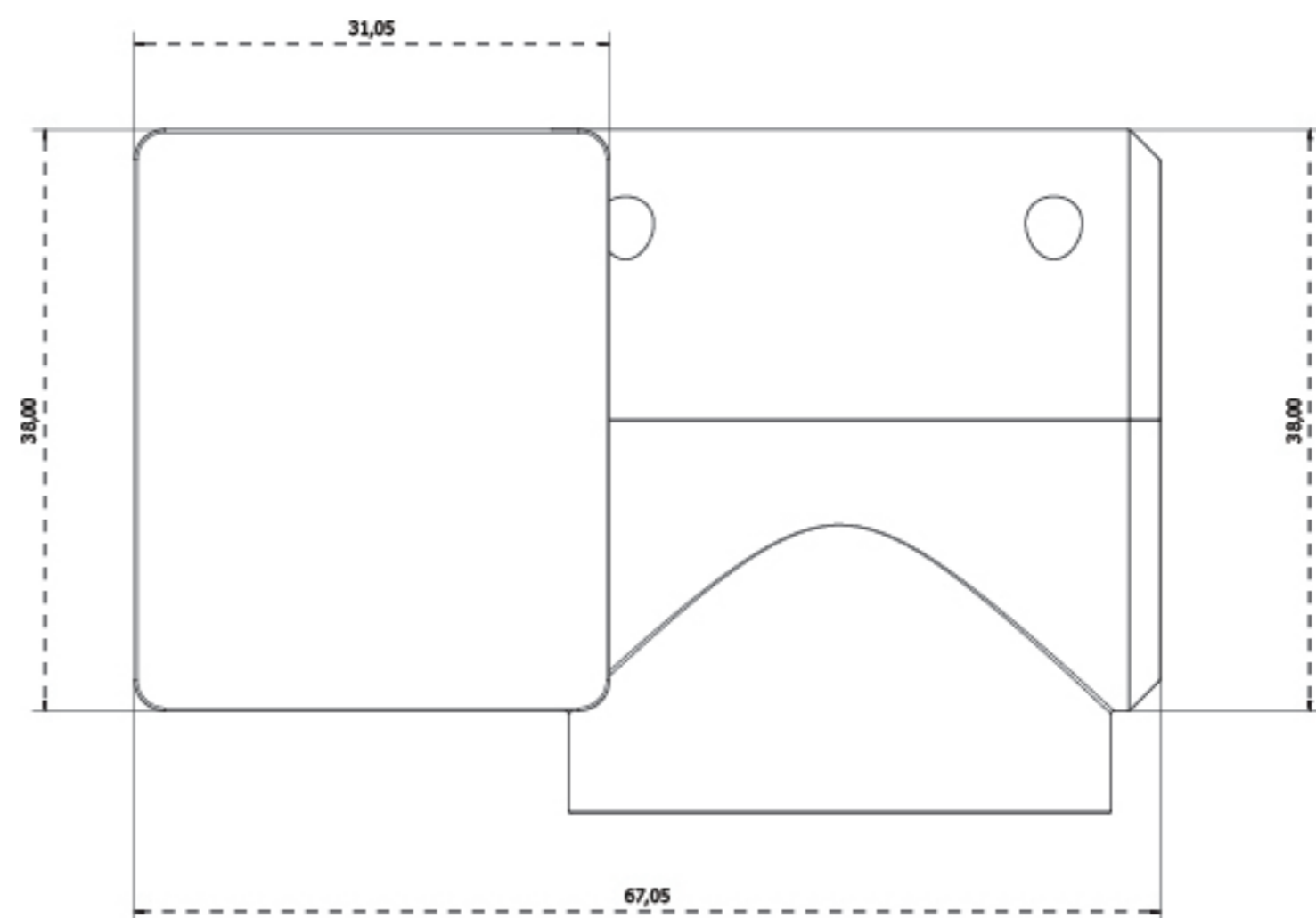
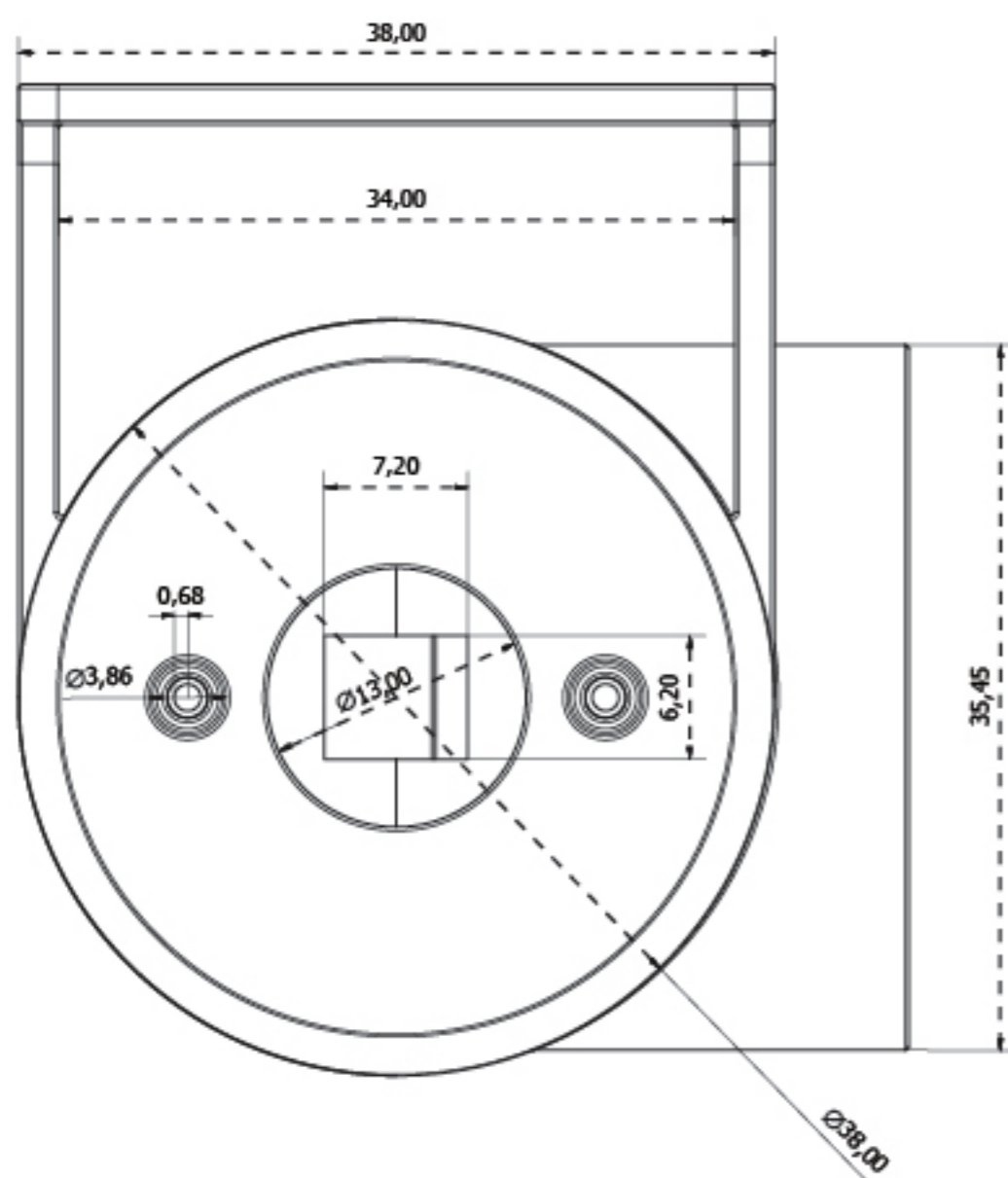
## POWER CABLE

### Detail spec.

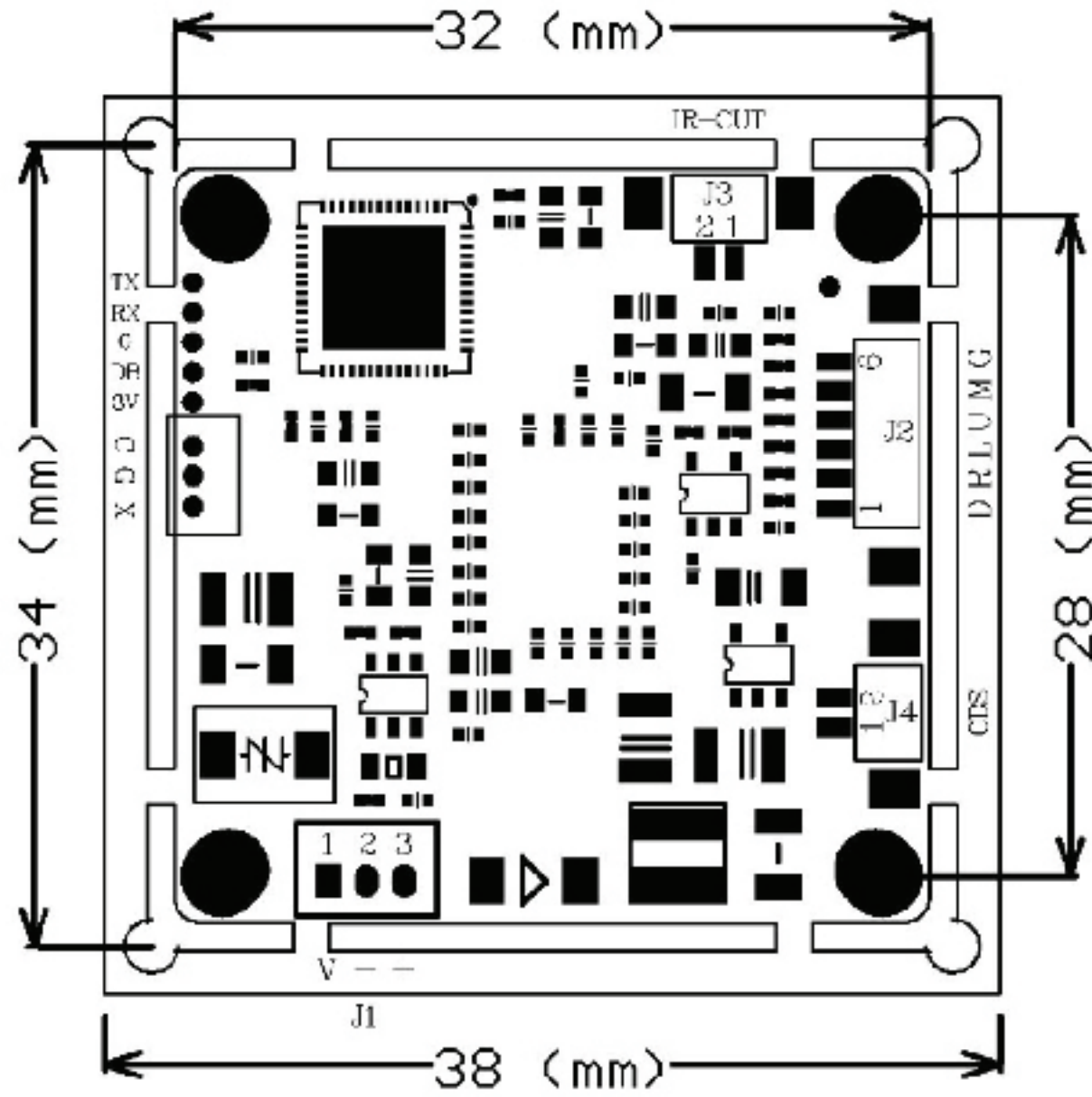
Model	GX12-4P female
MDVR Side	M12 aviation connector (4 pin)
Camera Side	5 wires (two+, two-, one video) with strain relief cord boot protector
Length	4M, 3M
Wire Connectors	2 Wires connector: Pitch:2.0mm - 3 Wires connector: Pitch:1.25mm

## Dimensions

### CAMERA ENCLOSURE

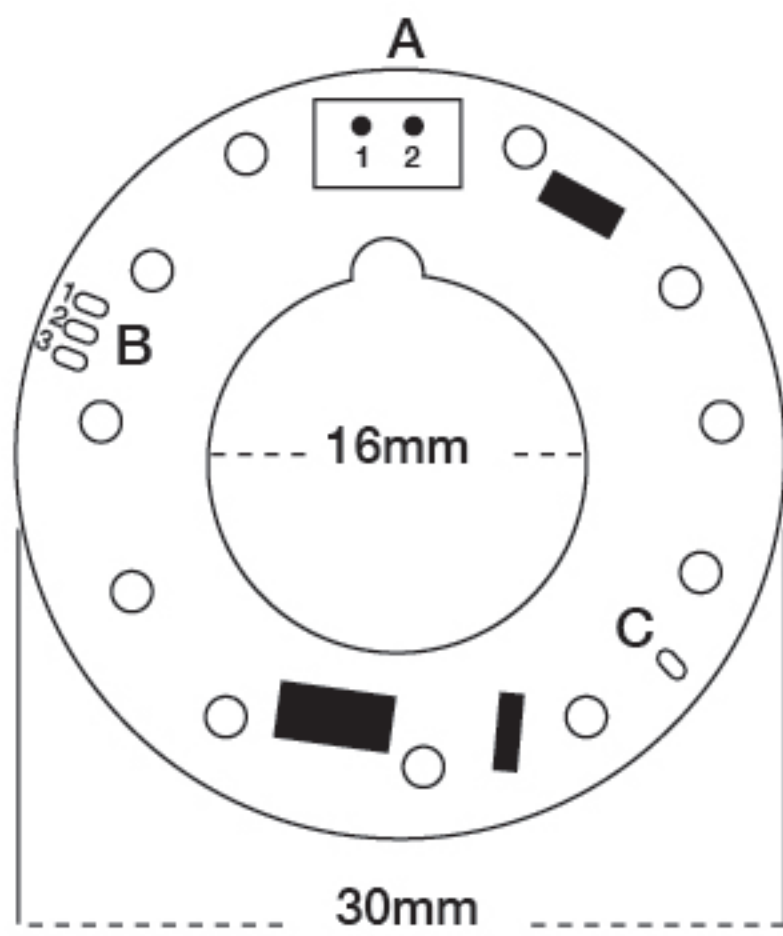


### CMOS BOARD



J1		J2		J3		J4	
1	VIDEO	1	DOWN	1	IR-CUT1	1	CDS
2	GND	2	RIGHT	2	IR-CUT2	2	CDS
3	DC12V	3	LEFT				
		4	UP				
		5	MENU				
		6	GND				

### IR BOARD

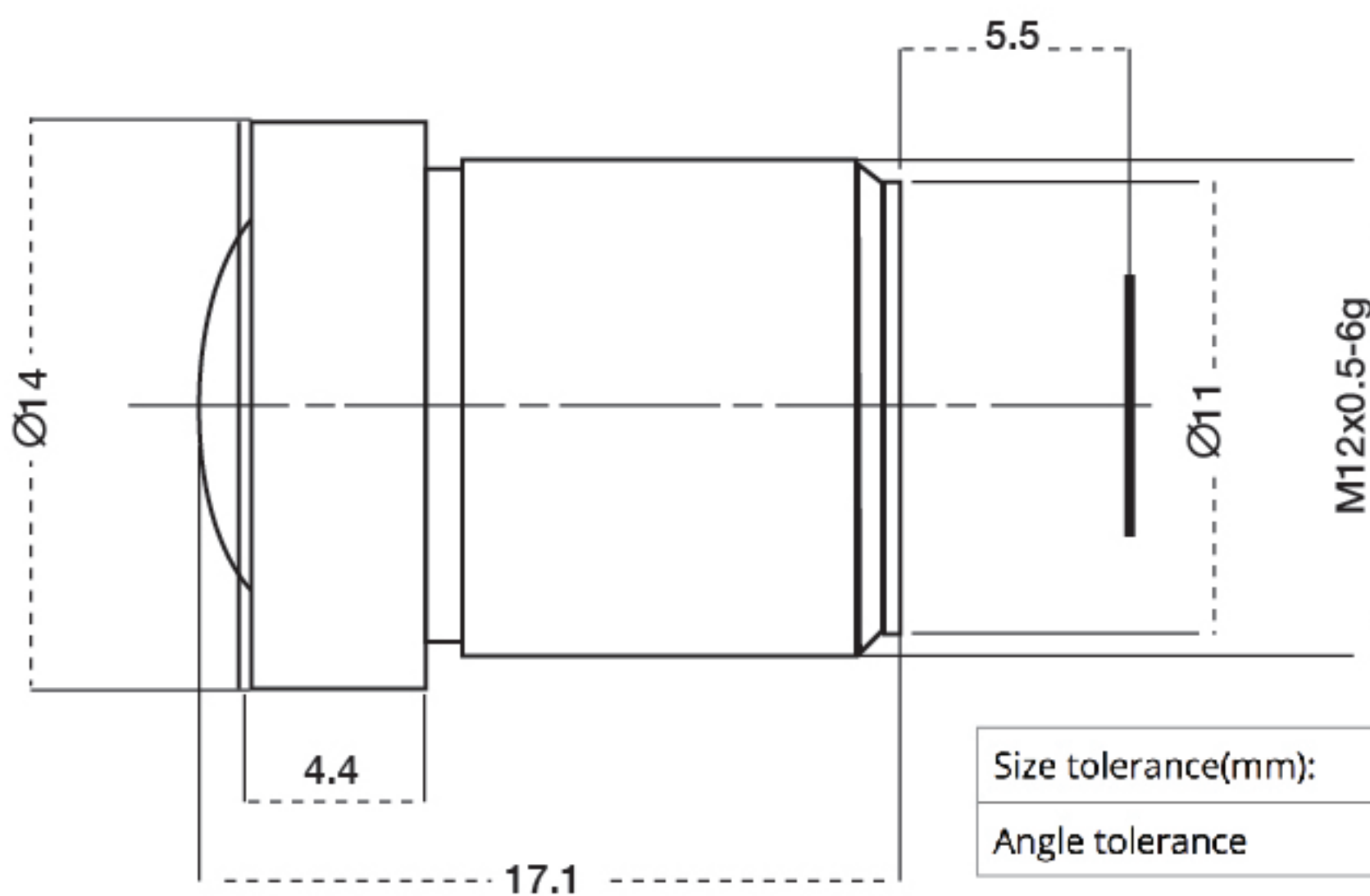


A	
1	+12V
2	GND

B	
1	CDS
2	GND
3	+12V

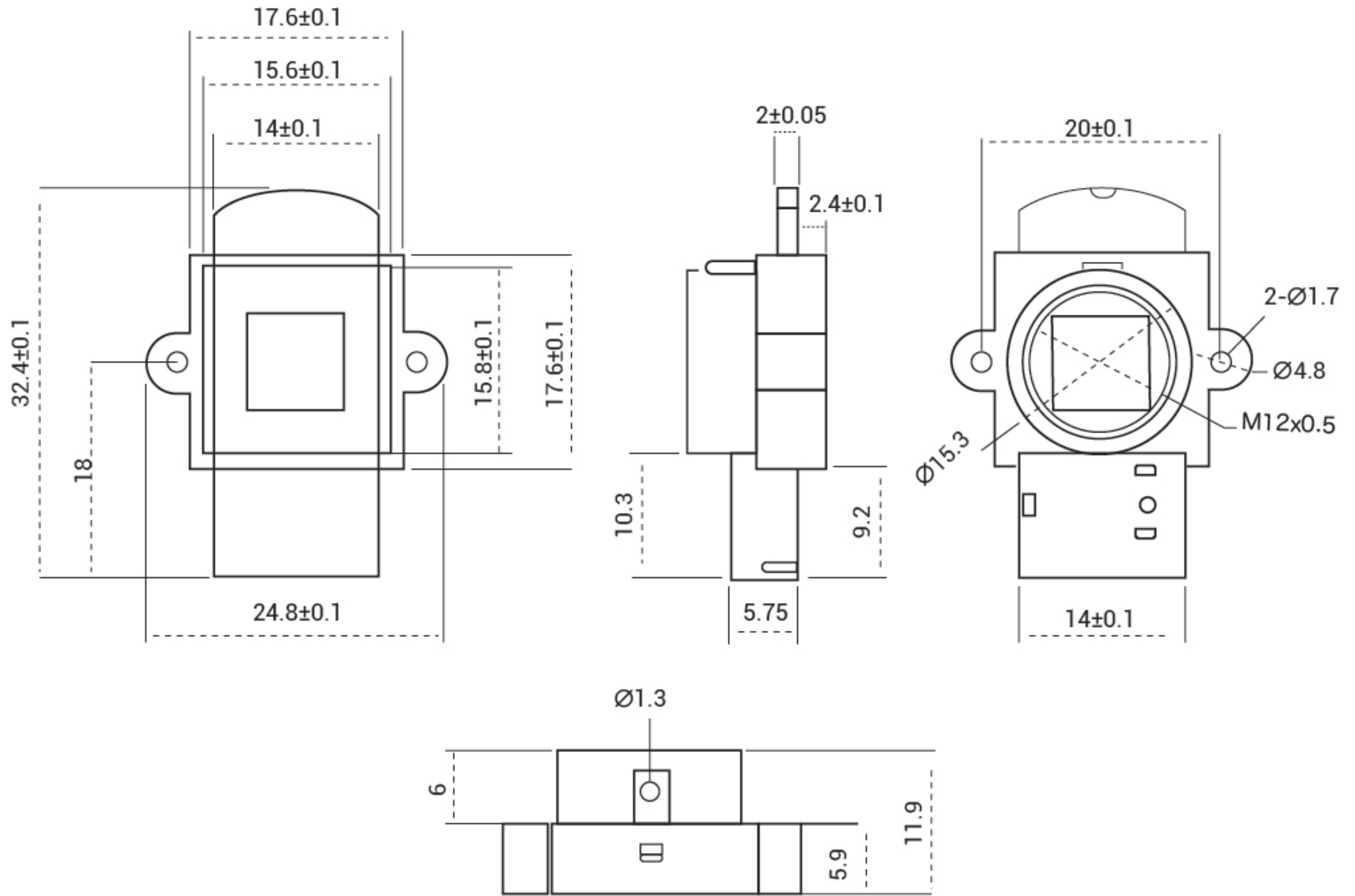
C	
1	CDS

### LENSE



Size tolerance(mm):	0-10±0.05	10-30±0.10	30-120±0.20
Angle tolerance	±2°		

IR-CUT



POWER CABLE

